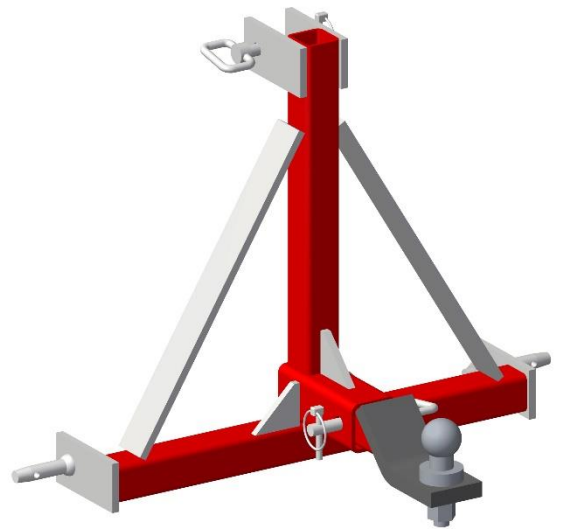


3PL Hitch Adapter Plans Book

Includes Plans To Build The Following:

- Three point linkage hitch adapter



Kurraglen Industries
PO Box 215
Gulgong, NSW, 2852
Australia

<https://www.kurraglenindustries.com.au>

sales@kurraglenindustries.com.au

<https://www.facebook.com/kurraglen/>



How to make a 3pl hitch adapter



This trailer towbar hitch adapter for tractors is simple to make and quick to hook up to the three point linkage of the tractor to move a trailer around the farm.

The steel shown in the cutting list is only a guide as you may have other material already available that you can use.

Materials required			
Item No	Material	Length	Quantity
1	50x50x4mm SHS	600mm	1
2	65x65x6mm SHS (check fit on your hitch)	170mm	1
3	50x50x4mm SHS	435mm	1
4	50x10mm flat	450mm	2
5	65x10mm flat	130mm	2
6	65x10mm flat	130mm	2
7	65x10mm flat (45 degree cut)	65mm	3
	Lower 3 point linkage pins	To suit your tractor	2
	Upper 3 point linkage pin	To suit your tractor	1

1. Begin by cutting the steel to the required sizes.

2. Drill hole in Item 2 to suit the hitch tongue. Normally this is 16.5mm but this may differ depending on the hitch pin. Refer to Diagram 1.

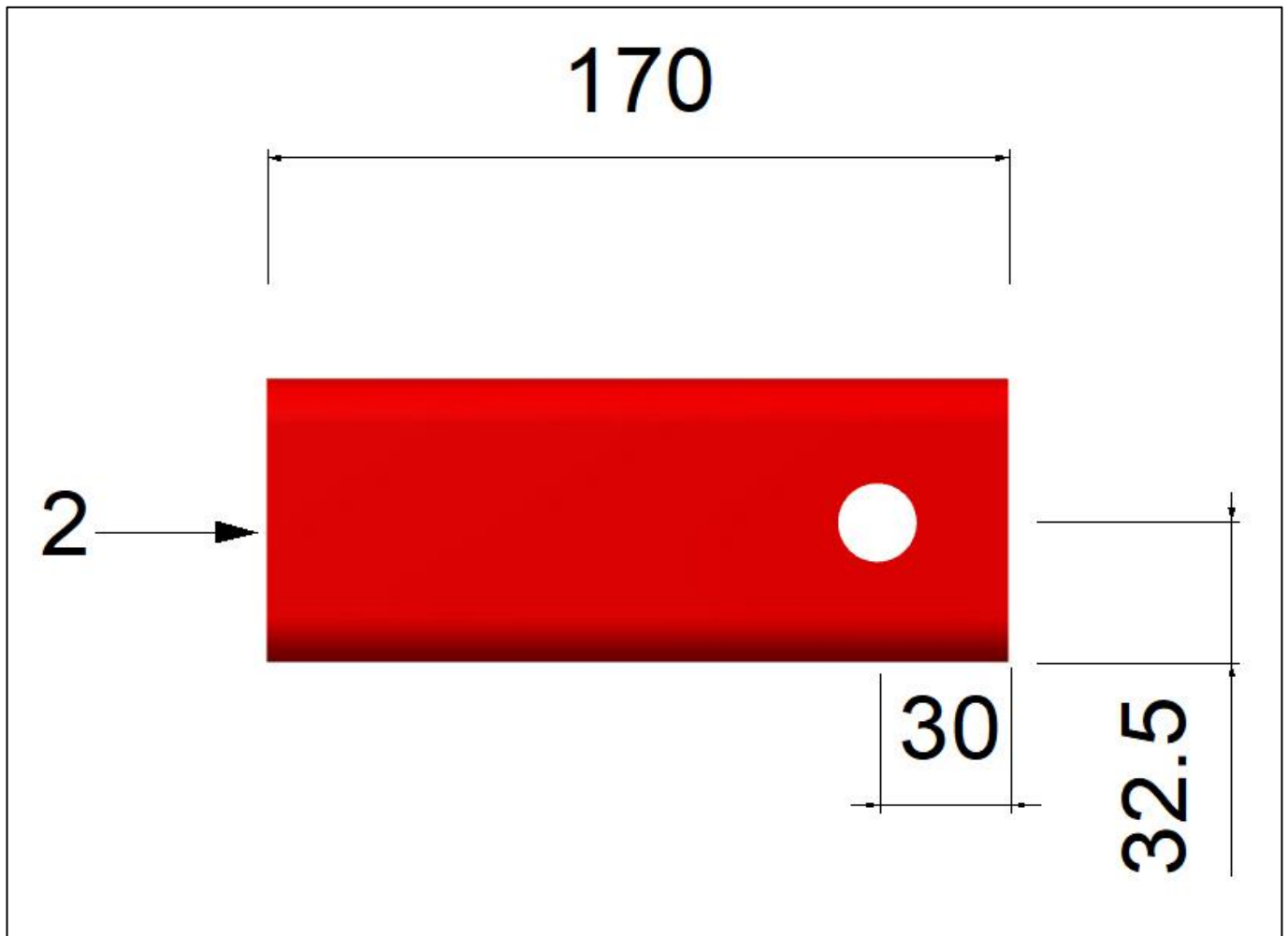


Diagram 1

3. Position the 65x65 shs (Item 2) in the centre of Item 1 and tack weld into place as shown in Diagram 2.
4. Position Item 3 as shown in Diagram 2 and tack weld in place.
5. Tack weld Items 4 into place as shown in Diagram 3.

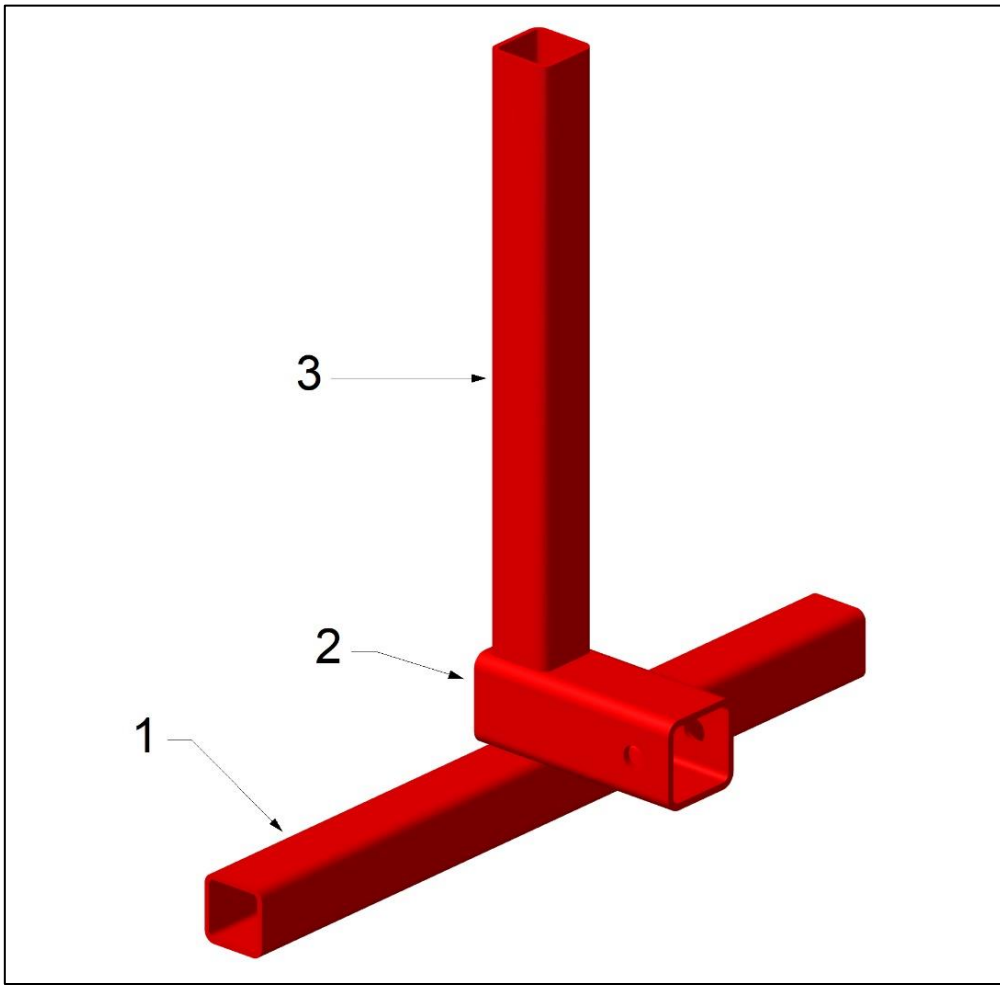


Diagram 2

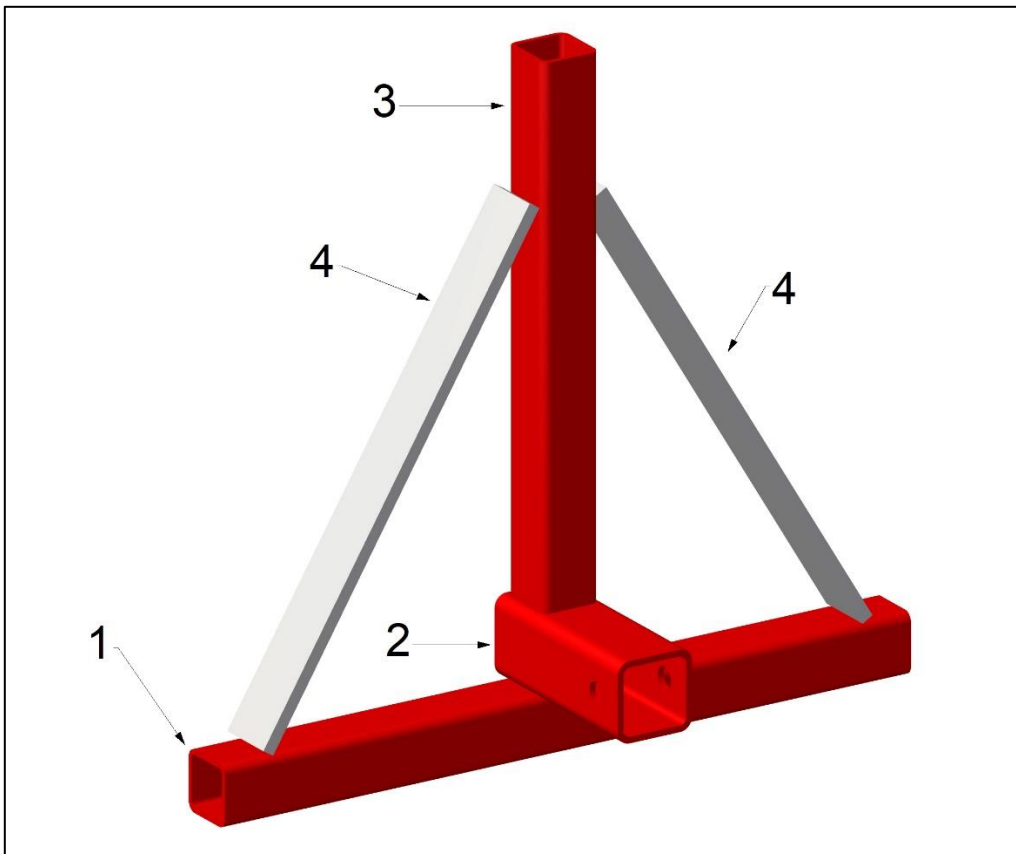


Diagram 3

6. Drill holes in Items 5 to suit your lower 3 point linkage pins and in Items 6 to suit your upper 3 point linkage pin as shown in Diagram 4.

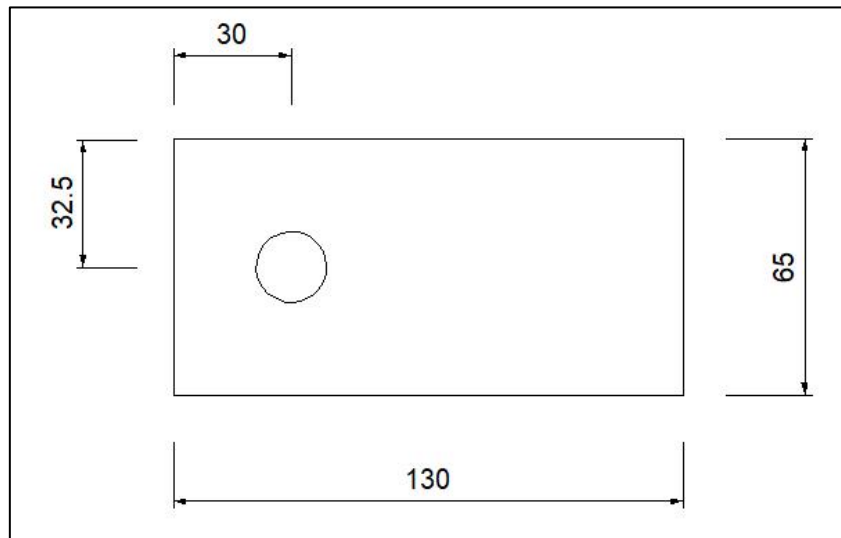


Diagram 4

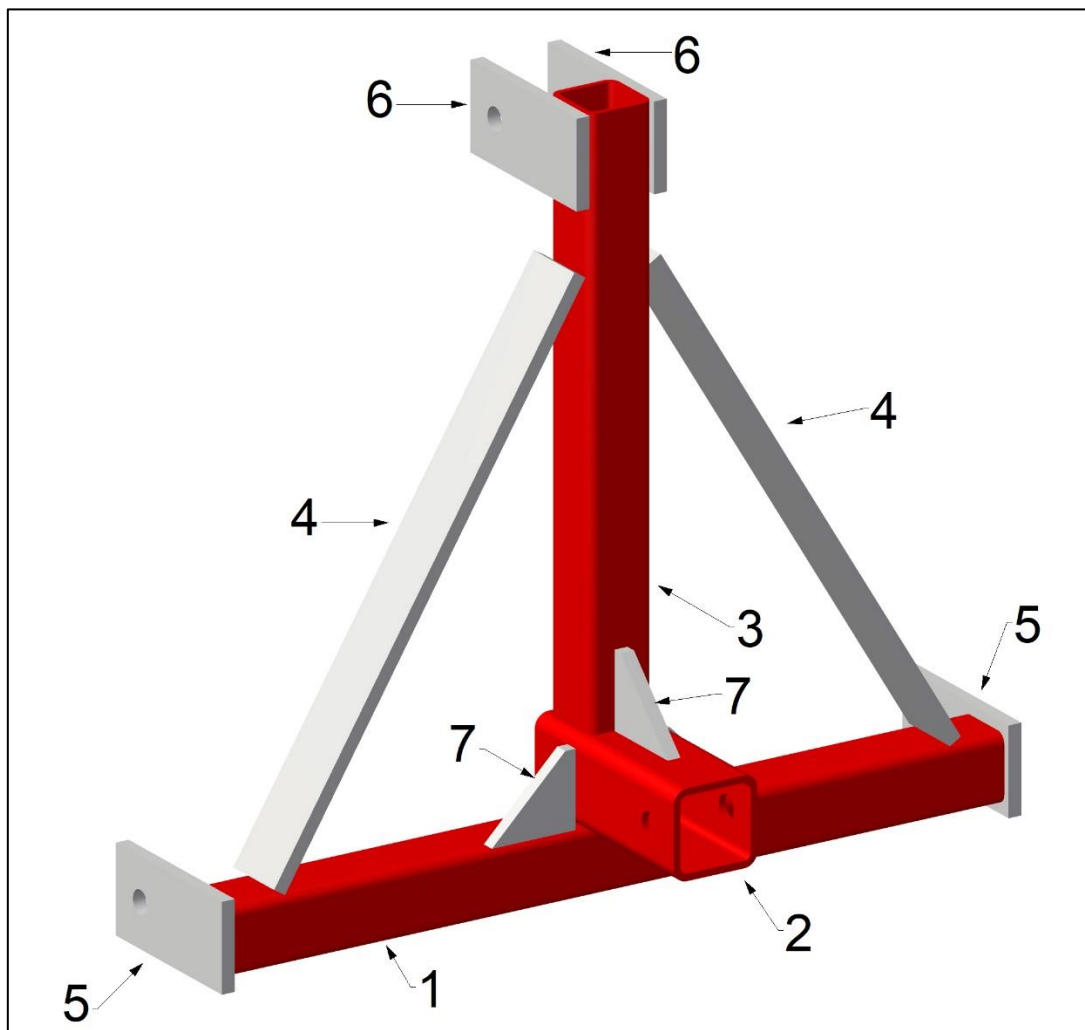


Diagram 5

7. Tack weld Items 5, Items 6 and Items 7 in place. Refer to Diagrams 5.

8. Fully weld all previously welded tack welds and paint as required and install pins.

Some free handy tools:

Linear cutting list optimiser: <https://www.kurraglenindustries.com.au/linear-cutting-list-calculator.htm>

Free project calculator: <https://www.kurraglenindustries.com.au/project-calculator.htm>